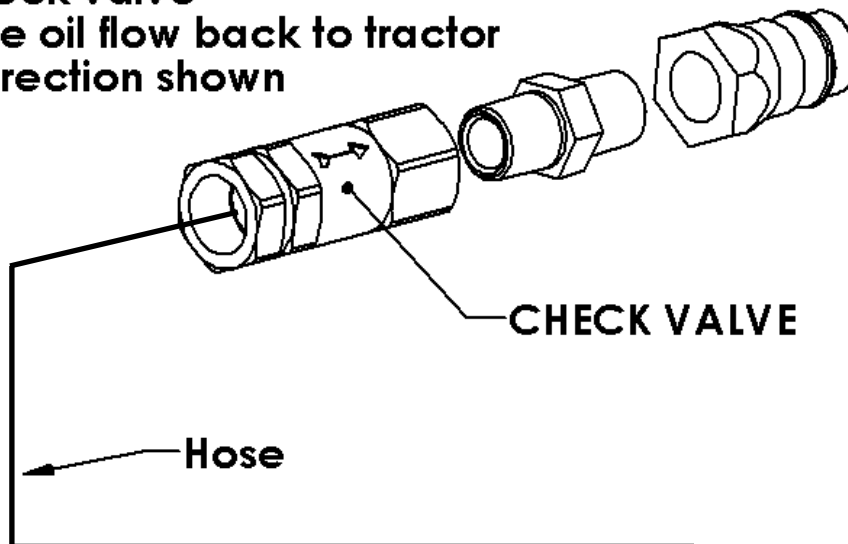


ENGINEERING BULLETIN

REQUEST DESCRIPTION

**Add check valve
To assure oil flow back to tractor
in the direction shown**



**Failure to add check valve will
void warranty and cause
malfunction in cart operation.**

